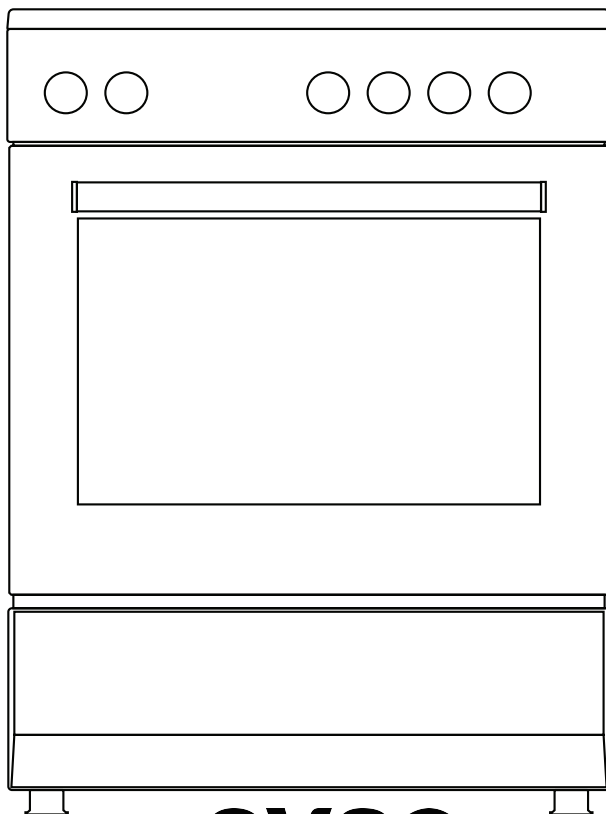


# FREE STANDING OVEN

50x55 / 50x60 / 60x60

Electrical oven

Hornos eléctricos



**svan**

USER MANUAL **GB**

MANUAL DEL USUARIO **ES**

**Dear User,**

Our objective is to make this product provide you with the best output which is manufactured in our modern facilities in a careful working environment, in compliance with total quality concept.

Therefore, we suggest you to read the user manual carefully before using the product and, keep it permanently at your disposal.

**Note:** This user manual is prepared for more than one model. Some of the features specified in the Manual may not be available in your appliance.

All our appliances are only for domestic use, not for commercial use.

Products marked with (\*) are optional.

**“Conforms with the WEEE Regulations.”**

## Contents

Important warnings.....	4
Methods for protecting ceramic glass cooking surface.....	13
Electrical connection.....	14
Introduction of the appliance.....	15
Accessories.....	16
Technical features of your oven.....	17
Installation of your oven.....	18
Chain lashing illustration.....	20
Control panel.....	20
Using oven section.....	21
Using the grill.....	22
Using the chicken roasting.....	22
Using cooker section.....	23
Program types.....	25
Cooking time table.....	26
Maintenance and cleaning.....	27
Installation of the oven door.....	28
Cleaning and maintenance of the Oven's front door glass.....	29
Changing the oven lamp.....	29
Catalytic walls.....	30
Rack positions.....	30
Using the grill deflector sheet.....	31
Troubleshooting.....	32
Handling rules.....	34
Recommendations for energy saving.....	34
Environmentally-friendly disposal.....	35
Package information.....	35

## IMPORTANT WARNINGS

1. Installation and repair should always be performed by **“AUTHORIZED SERVICE”**. Manufacturer shall not be held responsible for operations performed by unauthorized persons.
2. Please read this operating instructions carefully. Only by this way you can use the appliance safely and in a correct manner.
3. The oven should be used according to operating instructions.
4. Keep children below the age of 8 and pets away when operating.
5. **WARNING: The accessible parts may be hot while using the grill. Keep away from children.**
6. **WARNING: Fire hazard; do not store the materials on the cooking surface.**
7. **WARNING: The appliance and its accessible parts are hot during operation.**
8. Setting conditions of this device are specified on the label. (Or on the data plate)
9. The accessible parts may be hot when the grill is used. Small children should be kept away.
10. **WARNING: This appliance is intended for cooking. It should not be used for other purposes like heating a room.**
11. To clean the appliance, do not use steam cleaners.

**12.** Ensure that the oven door is completely closed after putting food inside the oven.

**13.** NEVER try to put out the fire with water. Only shut down the device circuit and then cover the flame with a cover or a fire blanket.

**14.** Children under 8 years of age should be kept away, if they cannot be monitored continuously.

**15.** Touching the heating elements should be avoided.

**16. CAUTION: Cooking process shall be supervised. Cooking process shall always be supervised.**

**17.** This device can be used by children over 8 years of age, people with physical, hearing or mental challenges or people with lack of experience or knowledge; as long as control is ensured or information is provided regarding the dangers.

**18.** This device has been designed for household use only.

**19.** Children must not play with the appliance. Cleaning or user maintenance of the appliance shall not be performed by children unless they are older than 8 years and supervised by adults.

**20.** Keep the appliance and its power cord away from children less than 8 years old.

**21.** Put curtains, tulle, paper or any flammable (ignitable) material away from the appliance before starting to use the appliance. Do not put ignitable or flammable materials on or in the appliance.

- 22.** Keep the ventilation channels open.
- 23.** The appliance is not suitable for use with an external timer or a separate remote control system.
- 24.** Do not heat closed cans and glass jars. The pressure may lead jars to explode.
- 25.** Oven handle is not a towel drier. Do not hang towels, etc. on the oven handle.
- 26.** Do not place the oven trays, plates or aluminium foils directly on the oven base. The accumulated heat may damage the base of the oven.
- 27.** While placing food to or removing food from the oven, etc., always use heat resistant oven gloves.
- 28.** Do not use the product in states like medicated and/or under influence of alcohol which may affect your ability of judgement.
- 29.** Be careful when using alcohol in your foods. Alcohol will evaporate at high temperatures and may catch fire to cause a fire if it comes in contact with hot surfaces.
- 30.** After each use, check if the unit is turned off.
- 31.** If the appliance is faulty or has a visible damage, do not operate the appliance.
- 32.** Do not use the appliance with its front door glass removed or broken.
- 33.** Place the baking paper together with the food into a pre-heated oven by putting it inside a cooker or on an oven accessory (tray, wire grill etc.).

**34.** Do not put objects that children may reach on the appliance.

**35.** It is important to place the wire grill and tray properly on the wire racks and/or correctly place the tray on the rack. Place the grill or tray between two rails and make sure it is balanced before putting food on it.

**36.** Against the risk of touching the oven heater elements, remove excess parts of the baking paper that hang over from the accessory or container.

**37.** Never use it at higher oven temperatures than the maximum usage temperature indicated on your baking paper. Do not place the baking paper on the base of the oven.

**38.** When the door is open, do not place any heavy object on the door or allow children to sit on it. You may cause the oven to overturn or the door hinges to be damaged.


**39.** The packaging materials are dangerous for children. Keep packaging materials away from the reach of children.

**40.** Do not use abrasive cleaners or sharp metal scrapers to clean the glass as the scratches that may occur on the surface of the door glass may cause the glass to break.

**41.** Do not hit glass surfaces of vitro-ceramic cookers with a hard metal, resistance can get damaged. It may cause an electric shock.

- 42.** User should not handle the oven by himself.
- 43.** Food can spill when foot of oven is dismantled or gets broken, be careful. It may cause personal injuries.
- 44.** During usage, the internal and external surfaces of the oven get hot. As you open the oven door, step back to avoid the hot vapour coming out from the interior. There is risk of burning.
- 45.** Upper cover of the oven can be closed for a reason, than cookware can trip over. Step back to avoid the hot food coming on you. There is risk of burning.
- 46.** Do not place heavy objects when oven door is open, risk of toppling.
- 47.** User should not dislocate the resistance during cleaning. It may cause an electric shock.
- 48.** Do not place metal utensils such as knife, fork, spoon on the surface of the appliance, since they will get hot.
- 49.** Do not remove ignition switches from the appliance. Otherwise, live electric cables can be accessed. It may cause an electric shock.
- 50.** Oven supply can be disconnected during any construction work at home. After completing the work, re-connecting the oven shall be done by authorized service.
- 51.** Do not place metal utensils such as knife, fork, spoon on the surface of the appliance, since they will get hot.





**52**To prevent overheating, the appliance should not be installed behind of a decorative cover.

**53.** Turn off the appliance before removing the safeguards. After cleaning, install the safeguards according to instructions.

**54.** Cable fixing point shall be protected.

**55.** Please don't cook the food directly on the tray / grid. Please put the food into or on appropriate tools before putting them in the oven.

**56. CAUTION: If the glass of the stove is broken, turn off any heating element immediately and disconnect the appliance from power source, do not touch the surface of the appliance and do not use the appliance.**

## Electrical Safety

1. Have an authorized electrician set grounding equipment. Our company shall not be responsible for the damages that shall be incurred due to using the product without grounding according to local regulations.

2. The circuit breaker switches of the oven shall be placed so that end user can reach them when the oven is installed.

3. The power supply cord shall not contact the hot parts of the appliance.

4. If the power supply cord is damaged, this cord shall be replaced by the manufacturer or its service agent or an equally qualified personnel to prevent a hazardous situation.


5. Never wash the product by spraying or pouring water on it! There is a risk of electrocution.

**6. WARNING: To avoid electric shock, ensure that the device circuit is open before changing the lamp.**

**7. WARNING: Cut off all supply circuit connections before accessing the terminals.**

**8. WARNING: If the surface is cracked, turn off the appliance to avoid risk of electric shock.**

9. Do not use cut or damaged cords or extension cords other than the original cord.



**10.** The rear surface of the oven also heats up when the oven is operated. Electrical connections shall not touch the rear surface, otherwise the connections may be damaged.

**11.** Do not tighten the connecting cables to the oven door and do not run them over hot surfaces. If the cord melts, this may cause the oven to short circuit and even a fire.

**12.** If the power supply cable is damaged, it must be replaced by its manufacturer or authorized technical service or any other personnel qualified at the same level, in order to avoid any dangerous situation.

**13.** Do not use steam cleaners for cleaning the appliance, otherwise electric shock may occur.

**14.** An omnipolar switch capable to disconnect power supply is required for installation. Disconnection from power supply shall be provided with a switch or an integrated fuse installed on fixed power supply according to building code.

**15.** Appliance is equipped with a **type “Y”** cord cable.

**16.** Fixed connections shall be connected to a power supply enabling omnipolar disconnection. For appliances with over voltage category below III, disconnection device shall be connected to fixed power supply according to wiring code.

## Intended Use

- 1.** This product has been designed for domestic use. Commercial use is not permitted.
- 2.** This appliance may only be used for cooking purposes. It shall not be used for other purposes like heating a room.
- 3.** This appliance shall not be used to heat plates under the grill, drying clothes or towels by hanging them on the handle or for heating purposes.
- 4.** The manufacturer assumes no responsibility for any damage due to misuse or mishandling.
- 5.** Oven part of the unit may be used for thawing, roasting, frying and grilling food.
- 6.** Operational life of the product you have purchased is 10 years. This is the period for which the spare parts required for the operation of this product as defined is provided by the manufacturer.

## Methods for Protecting Ceramic Glass Cooking Surface

Ceramic glass surface is unbreakable and scratch resistant to a certain degree. However, to avoid any damage, please do the following:

1. Never pour cold water on hot cookers.
2. Do not stand on a ceramic glass plate.
3. Sudden pressure, for example, the effect of a falling salt shaker may be critical. So, do not place such objects on a place above the hobs.
4. After each use, make sure that the base of the cooking pot and surfaces of cooking zones are clean and dry.
5. Do not peel vegetables on the hob surfaces. Sand grains falling from the vegetables may scratch the ceramic glass plate.
6. Do not lay flammable materials such as cardboard or plastic on the oven. Objects such as tin, zinc, or aluminium (as well as aluminium foils or empty coffee pots) may melt on hot cooking surfaces and thus cause damage.
7. Take care not to let sugary foods or fruit juices contact the hot cooking zones. The ceramic glass surface may be stained by these.

## Electrical Connection

1. Your oven requires 40 Amp fuse for mono phase or 3x16 Amp fuse for 3 phase supply according to electrical power for cooker section has 4 ceramic heater and oven section has electric models. Installation by a qualified electrician is mandatory.

2. Your oven is adjusted in compliance with 220-240V / 380-415V AC,50/60Hz. electric supply. If the mains are different from this specified value, contact your authorized service.

3. Electrical connection of the oven should only be made to connections / sockets with an earth system installed in compliance with local regulations. If there are no connections/sockets with an earth system in place where the oven will be installed, immediately contact a qualified electrician to install. The manufacturer is not responsible for damages that will arise because of the appliance not be connected to an earth system.

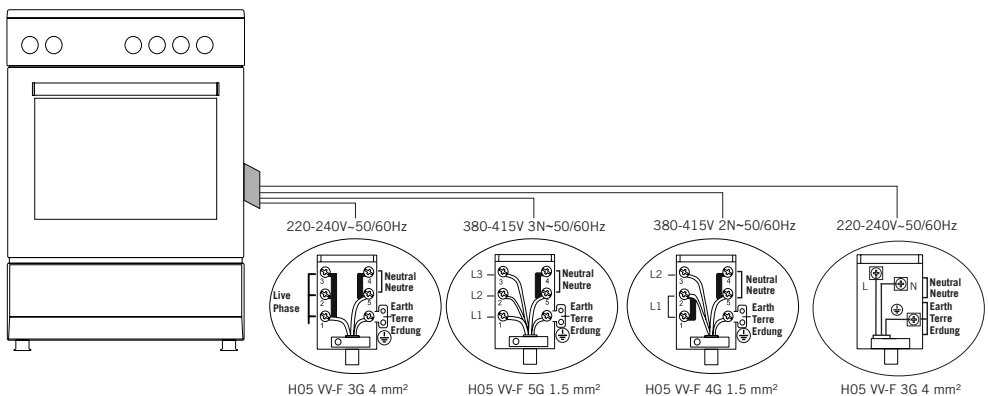
4. If your supply cable gets damaged, it should be replaced by an authorized service agent or qualified electrician in order to avoid danger or electric shock.

5. Electrical cable should not touch the hot parts of the appliance.

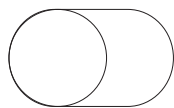
6. Operate your oven in dry atmosphere.

7. When placing your oven to its location, ensure that it is at the counter level. Bring it to the counter level by adjusting the feet if necessary.

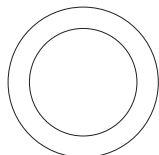
## Electrical Connection Scheme



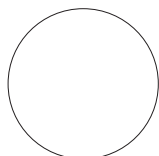
## INTRODUCTION OF THE APPLIANCE



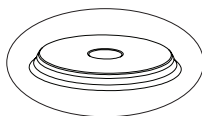
11



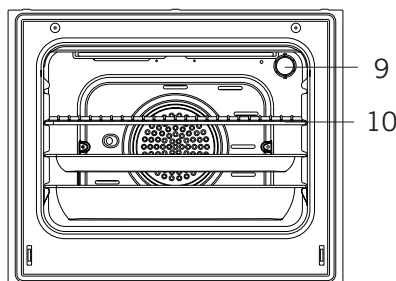
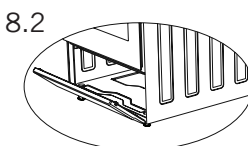
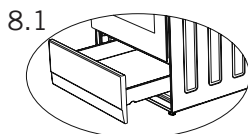
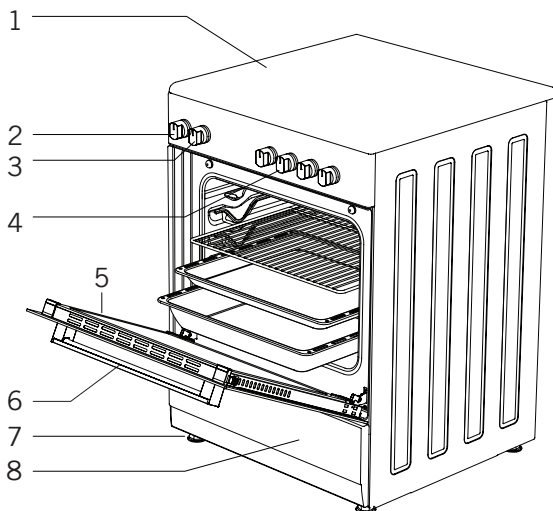
12



13



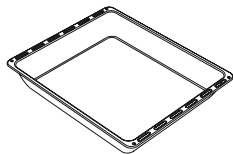
14



- 1. Glass top plate
- 2. Thermostat knob
- 3. Command knob for oven
- 4. Regulators for vitroceramic hobs
- 5. Oven door
- 6. Handle
- 7. Plastic leg
- 8. Lower cabinet door

- 8.1. Drawer
- 8.2. Flap door
- 9. Lamp
- 10. Grill
- 11. Ceramic heater (140 mm / 250 mm)
- 12. Ceramic heater (120 mm / 180 mm)
- 13. Ceramic heater (140 mm or 180 mm)
- 14. Hot plate (145 mm or 185 mm)

## Accessories



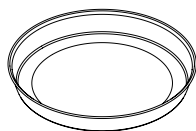
### Deep tray \*

Used for pastry, big roasts, watery foods. It can also be used as oil collecting container if you roast directly on grill with cake, frozen foods and meat dishes.



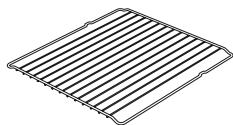
### Tray / Glass tray \*

Used for pastry (cookie, biscuit etc.), frozen foods.



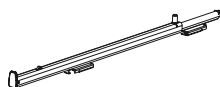
### Circular tray \*

Used for pastry frozen foods.



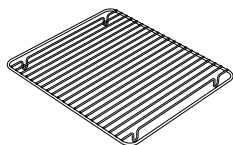
### Wire grill

Used for roasting or placing foods to be baked, roasted and frozen into desired rack.



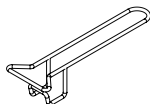
### Telescopic rail \*

Trays and wire racks can be removed and installed easily thanks to telescopic rails.



### In tray wire grill \*

Foods to stick while cooking such as steak are placed on in tray grill. Thus contact of food with tray and sticking are prevented.



### Tray handle \*

It is used to hold hot trays.



## Technical features of your oven

Specifications	50x55	50x60	60x60
Outer width	500 mm	500 mm	600 mm
Outer depth	565 mm	630 mm	630 mm
Outer height	855 mm	855 mm	855 mm
Lamp power	15-25 W		
Bottom heating element	1000 W	1000 W	1200 W
Top heating element	800 W	800 W	1000 W
Turbo heating element	-----	1800 W	2200 W
Grill heating element	1500 W	1500 W	2000 W
Supply voltage	220-240V AC/380-415V AC 50/60 Hz		
Hot plate 145 mm *	1000 W		
Hot plate 180 mm *	1500 W		
Hot plate rapid 145 mm *	1500 W		
Hot plate rapid 180 mm *	2000 W		
Ceramic heater 140 mm *	1200 W		
Ceramic heater 180 mm *	1700 W / 1800 W		
Ceramic heater 140 mm / 250 mm *	1800 W		
Ceramic heater 120 mm / 180 mm *	1700 W		

**WARNING:** For the modification to be done by authorized service, this table should be considered. Manufacturer may not be held responsible for any problems rising because of any faulty modification.

**WARNING:** In order to increase the product quality, the technical specifications may be changed without prior notice.

**WARNING:** The values provided with the appliance or its accompanying documents are laboratory readings in accordance with the respective standards. These values may differ depending on the use and ambient conditions.

## INSTALLATION OF YOUR OVEN

Check if the electrical installation is proper to bring the appliance in operating condition. If electricity installation is not suitable, call an electrician and plumber to arrange the utilities as necessary. Manufacturer shall not be held responsible for damages caused by operations performed by unauthorized persons.

**WARNING:** It is customer's responsibility to prepare the location the product shall be placed on and also to have the electrical installation prepared.

**WARNING:** The rules in local standards about electrical installations shall be followed during product installation.

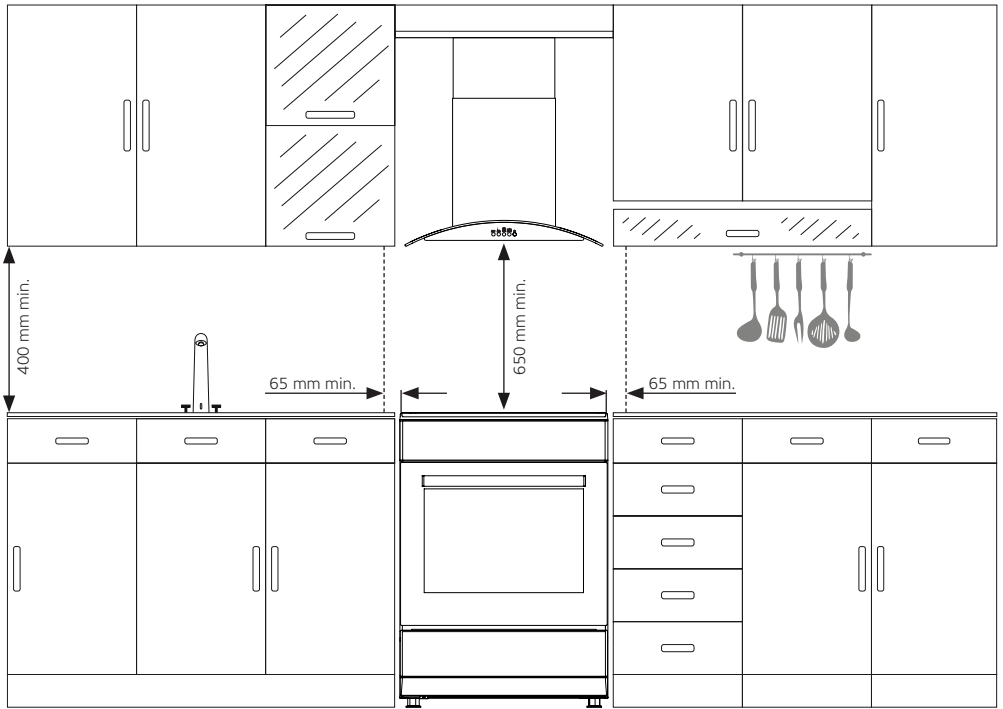
**WARNING:** Check for any damage on the appliance before installing it. Do not have the product installed if it is damaged. Damaged products cause a risk for your safety.

### Right Place for Installation and Important Warnings

Appliance feet should not stay on soft surfaces such as carpets. The kitchen floor shall be durable to carry the unit weight and any other kitchenware that may be used on the oven.

Appliance should be used with a clearance of minimum 400 mm over the upper hob surfaces, and 65 mm from side surfaces inside a kitchen furniture.

The appliance is suitable for use on both side walls, without any support, or without being installed in a cabinet. If a hood or aspirator will be installed above the cooker, follow the instructions of the manufacturer for height of mounting. (min. 650 mm)

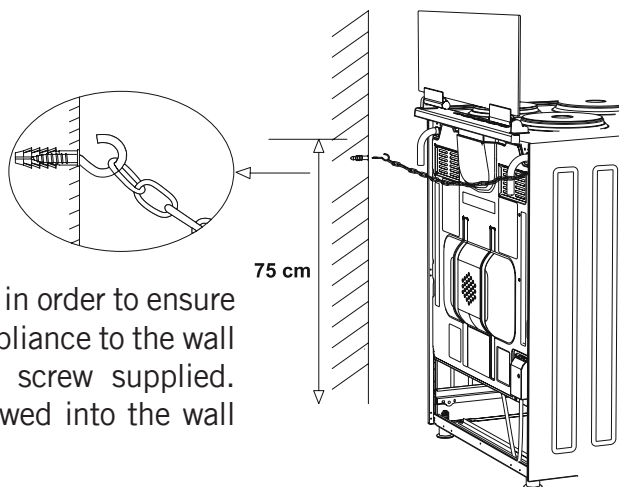


**WARNING:** The kitchen furniture near the appliance must be heat resistant.

**WARNING:** Do not install the appliance beside refrigerators or coolers. Heat radiated by the appliance increases the energy consumption of cooling devices.

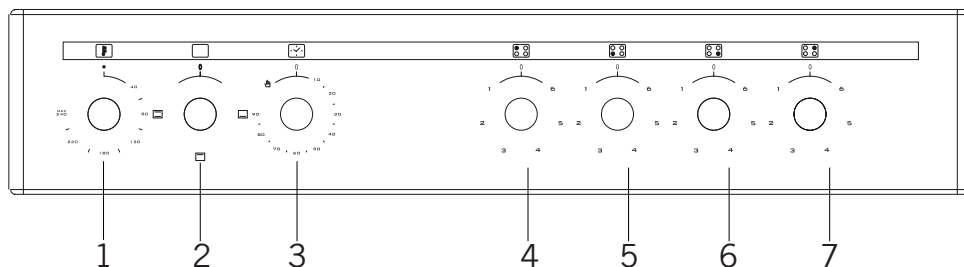
**WARNING:** Do not use the door and/or handle to carry or move the appliance.

## Chain lashing illustration



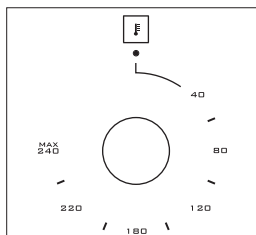
Before using the appliance, in order to ensure safe use, be sure to fix the appliance to the wall using the chain and hooked screw supplied. Ensure that the hook is screwed into the wall securely.

## CONTROL PANEL

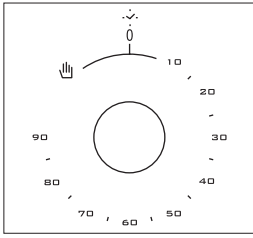


- |                                |                                  |
|--------------------------------|----------------------------------|
| 1. Thermostat                  | 5. Front left electrical heater  |
| 2. Function selection button   | 6. Front right electrical heater |
| 3. Mechanical timer *          | 7. Rear right electrical heater  |
| 4. Rear left electrical heater |                                  |

**WARNING:** The control panel above is only for illustration purposes. Consider the control panel on your device.



**Thermostat:** Used for determining the cooking temperature of the dish to be cooked in the oven. After placing the food inside the oven, turn the switch to adjust desired temperature setting between 40-240 °C. For cooking temperatures of different food, see cooking table.



**Mechanical timer\*:** Used for determining the period for cooking in the oven. When adjusted time is expired, power to heaters is turned off and an audible warnig signal is emitted. Mechanical timer can be adjusted to desired period between 0-90 minutes. For cooking periods, see cooking tables.

## USING OVEN SECTION

### Using Oven Heating Elements

1. When your oven is operated first time, an odor will be spread out which will be sourced from using the heating elements. In order to get rid of this, operate it at 240 °C for 45-60 minutes while it is empty.
2. Oven control knob should be positioned to desired value; otherwise oven does not operate.
3. Kinds of meals, cooking times and thermostat positions are given in cooking table. The values given in the cooking table are characteristic values and were obtained as a result of the tests performed in our laboratory. You can find different flavors suitable for your taste depending on your cooking and using habits.
4. You can make chicken revolving in your oven by means of the accessories.
5. Cooking times: The results may change according to the area voltage and material having different quality, amount and temperatures.
6. During the time when cooking is being performed in the oven, the lid of the oven should not be opened frequently. Otherwise circulation of the heat may be imbalanced and the results may change.

## Using The Grill

1. When you place the grill on the top rack, the food on the grill shall not touch the grill.
2. You can preheat for 5 minutes while grilling. If necessary, you may turn the food upside down.
3. Food shall be in the center of the grill to provide maximum air flow through the oven.

### To turn on the grill;

1. Place the function button over the grill symbol.
2. Then, set it to the desired grill temperature.

### To turn the grill off;

Set the function button to the off position.

**WARNING:** Keep the oven door closed while grilling.

## Using The Chicken Roasting \*

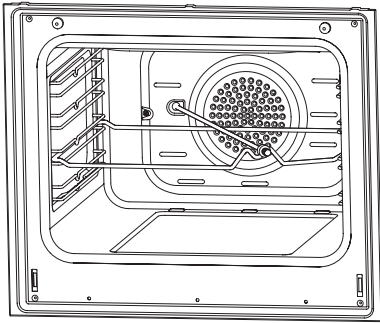


Figure 1

Place the spit on the frame. Slide turn spit frame into the oven at the desired level. Locate a dripping pan through the bottom in order to collect the fat. Add some water in dripping pan for easy cleaning. Do not forget to remove plastic part from spit. After grilling, screw the plastic handle to the skewer and take out the food from oven.

## Using Cooker Section

### Using And Description Of Hob Section For Vitroceramic

	Level 1	Level 2	Level 3	Level 4	Level 5	Level 6	Level 7	Level 8	Level 9	Max.
140 mm Commutator	130 W	206 W	350 W	500 W	850 W	1200 W	---	---	---	---
180 mm Commutator	180 W	470 W	790 W	850 W	1230 W	1700 W	---	---	---	---
180 mm Regulator	1800 W	1800 W	1800 W	1800 W	1800 W	1800 W	1800 W	1800 W	1800 W	---
140/250 mm	1000 W	1000 W	1000 W	1000 W	1000 W	1000 W	1000 W	1000 W	1000 W	1800 W
120/180 mm Dual Hilight	700 W	700 W	700 W	700 W	700 W	700 W	700 W	700 W	700 W	1700 W

**1.** You operate the hob with the ring switches on the control panel of oven. This switch regulates the energy in order to reach desired temperature set by you.

**2.** In order to have a good cooking result from the hob, the pans bottom should be as thick and flat as possible.

**3.** Bottom of pans and cooking zones should be the same size. If possible, always place lids on the pans. Always place cookware on the cooking zone before it is switched on. Switch cooking zones off before the end of the cooking time, to take advantage of residual heat.

**4.** Turn the knob to clockwise for starting to operate. Temperature set up by the knob position on the line gradually increasing up to max. (Single zone)

**5.** For dual cooking zone the first ring operating like single zone; second ring starts to operate after extra turning by some more force to clock wise on the "max" region end of the ring sign. When you turn to counter clock wise, the first ring will operate as maximum range and the second ring's power will reduce up to you desire temperature.

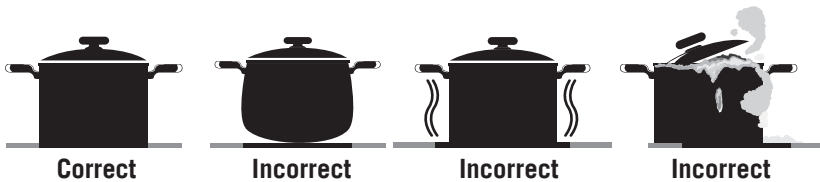
## Using Hot Plates

	Level 1	Level 2	Level 3	Level 4	Level 5	Level 6
80 mm	200 W	250 W	450 W	---	---	---
145 mm	250 W	750 W	1000 W	---	---	---
180 mm	500 W	750 W	1500 W	---	---	---
145 mm rapid	500 W	1000 W	1500 W	---	---	---
180 mm rapid	850 W	1150 W	2000 W	---	---	---
145 mm	95 W	155 W	250 W	400 W	750 W	1000 W
180 mm	115 W	175 W	250 W	600 W	850 W	1500 W
145 mm rapid	135 W	165 W	250 W	500 W	750 W	1500 W
180 mm rapid	175 W	220 W	300 W	850 W	1150 W	2000 W
220 mm	220 W	350 W	560 W	910 W	1460 W	2000 W

1. Electric hotplates have standard of 6 temperature levels. (as describe herein above)

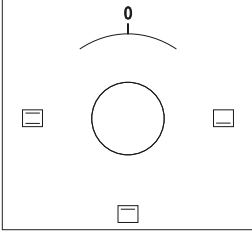
2. When using first time, operate your electric hotplate in position 6 for 5 minutes. This will make the agent on your hotplate which is sensitive to heat get hardened by burning.

3. Use flat bottomed saucepans which fully contact with the heat as much as you can, so that you can use the energy more productively.





## PROGRAM TYPES



**Function Button:** Used for determining the heaters to be used for cooking the dish to be cooked in the oven. Heater program types in this button and their functions are described below. All heater types and program types consisting of these heaters may not be available at all models.

	Turnspit		Fan
	Top + Bottom heating element		Turbo heating + Fan
	Lamp		Bottom + Top heating elements + Fan
	Bottom heating element + Fan		Grill heating element + Fan
	Grill heating element		Grill burner / Grill heating element
	Grill heating element + Lamp		Top heating element
	Electrical timer		Oven burner / Bottom heating element

**WARNING:** All heater types and program types consisting of these heaters may not be available at all models.

## COOKING TIME TABLE

**WARNING:** Oven must be preheated for 10 minutes before placing the food in it.

Foods	Cooking Function	Temperature (°C)	Rack Position	Cooking Duration (min.)
Cake (Tray / Mold)	Static / Static+fan	170-180	2	35-45
Small cakes	Static / Turbo+fan	170-180	2	25-30
Patty	Static / Static+fan	180-200	2	35-45
Pastry	Static	180-190	2	25-30
Cookie	Static	170-180	3	20-25
Apple pie	Static / Turbo+fan	180-190	2	50-70
Sponge cake	Static	200/150 *	2	20-25
Pizza	Static+fan	180-200	3	20-30
Lasagna	Static	180-200	2	25-40
Meringue	Static	100	2	60
Chicken	Static+fan / Turbo+fan	180-190	2	45-50
Grilled chicken **	Grill	200-220	4	25-30
Grilled fish **	Grill+fan	200-220	4	25-30
Sirloin steak **	Grill+fan	Max.	4	15-20
Grilled meat balls **	Grill	Max.	4	20-25

\* Without pre-heating. Half of the cooking should be 200 °C and then second half should be 150 °C.

\*\* During the half of cooking, meal should be turned around.

## MAINTENANCE AND CLEANING

1. While oven is operating or shortly after it starts operating, it is extremely hot. You must avoid touching from heating elements.
2. Never clean the interior part, panel, lid, trays and all other parts of the oven by the tools like hard brush, cleaning mesh or knife. Do not use abrasive, scratching agents and detergents.
3. After cleaning the interior parts of the oven with a soapy cloth, rinse it and then dry thoroughly with a soft cloth.
4. Clean the glass surfaces with special glass cleaning agents.
5. Do not clean your oven with steam cleaners.
6. Before opening the upper lid of the oven, clean spilled liquid off the lid. Also, before closing the lid, ensure that the cooker table is cooled enough.
7. Never use inflammable agents like acid, thinner and gasoline when cleaning your oven.
8. Do not wash any part of your oven in dishwasher.
9. In order to clean the front glass lid of the oven; remove the fixing screws fixing the handle by means of a screwdriver and remove the oven door. Than clean and rinse it thoroughly. After drying, place the oven glass properly and re-install the handle.

## Installation Of The Oven Door

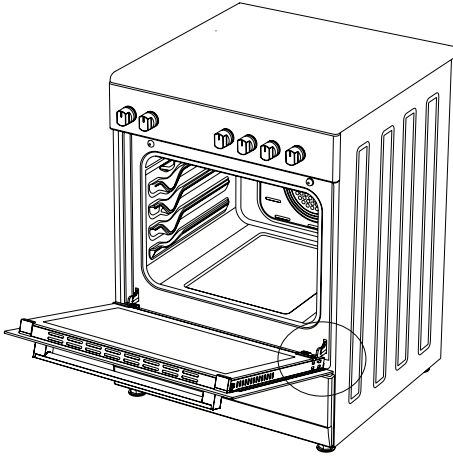


Figure 2

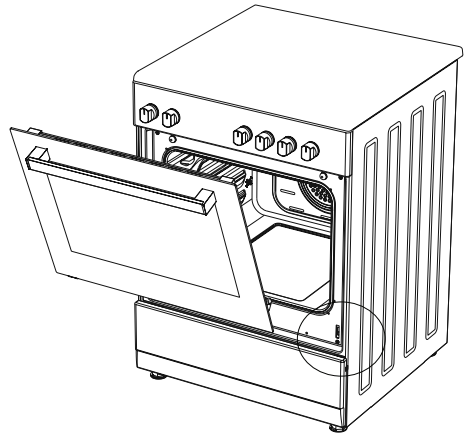


Figure 3

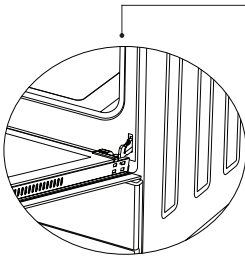


Figure 2.1

Completely open the oven door by pulling it to yourself. Afterwards, perform the unlocking process by pulling the hinge lock upwards with the help of a screw driver as shown in **figure 2.1**.

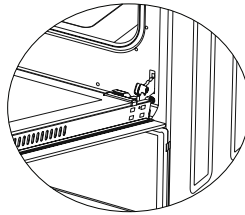


Figure 2.2

Bring the hinge lock to the widest angle as shown in **figure 2.2**. Bring both hinges connecting the oven door to the oven to the same position.

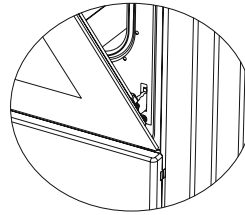


Figure 3.1

Afterwards, close the oven door as to lean on the hinge lock as shown in **figure 3.1**.

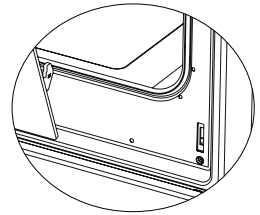


Figure 3.2

To remove the oven door, pull it upwards by holding it with both hands when close to the closed position as shown in **figure 3.2**.

In order to re-place the oven door, perform the abovementioned steps in reverse.

## Cleaning And Maintenance Of The Oven's Front Door Glass

Remove the profile by pressing the plastic latches on both left and right sides as shown in figure 4 and pulling the profile towards yourself as shown in figure 5. Then remove the inner-glass as shown in figure 6. If required, middle glass can be removed in the same way. After cleaning and maintenance are done, remount the glasses and the profile in reverse order. Make sure the profile is properly seated in its place.

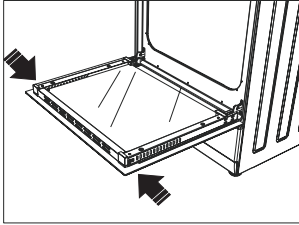


Figure 4

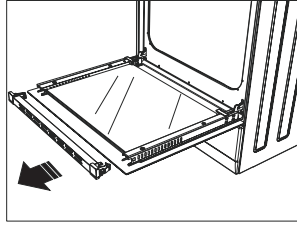


Figure 5

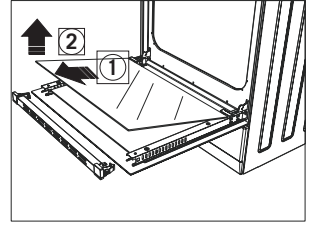


Figure 6

## Catalytic Walls \*

Catalytic walls are located on the left and the right side of cavity under the guides. Catalytic walls banish the bad smell and obtain the best performance from the cooker. Catalytic walls also absorb oil residue and clean your oven while it's operating.

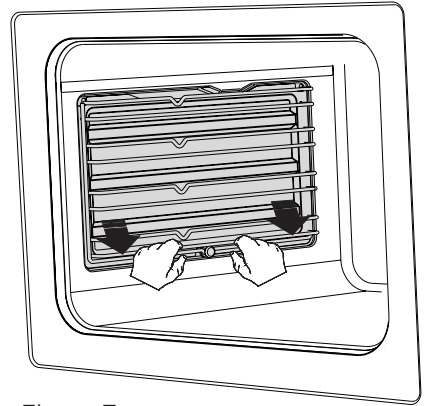
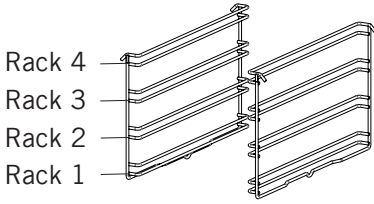


Figure 7

## Removing the catalytic walls

In order to remove the catalytic walls; the guides must be pulled out. As soon as the guides are pulled out, the catalytic walls will be released automatically. The catalytic walls must be changed after 2-3 years.

## Rack Positions



It is important to place the wire grill into the oven properly. Do not allow wire rack to touch rear wall of the oven. Rack positions are shown in the next figure. You may place a deep tray or a standard tray in the lower and upper wire racks.

## Installing and removing wire racks

To remove wire racks, press the clips shown with arrows in the figure, first remove the lower, and then the upper side from installation location. To install wire racks; reverse the procedure for removing wire rack.

## Changing The Oven Lamp

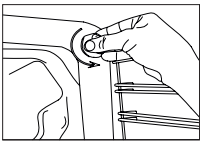
**WARNING:** To avoid electric shock, ensure that the appliance circuit is open before changing the lamp. (having circuit open means power is off) First disconnect the power of appliance and ensure that appliance is cold.

Remove the glass protection by turning as indicated in the figure on the left side. If you have difficulty in turning, then using plastic gloves will help you in turning.

Then remove the lamp by turning, install the new lamp with same specifications.

Reinstall glass protection, plug the power cable of appliance into electrical socket and complete replacement. Now you can use your oven.

### Type G9 Lamp



220-240 V, AC  
15-25 W

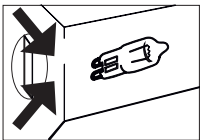
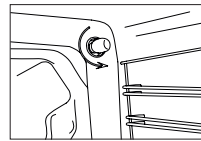


Figure 8

### Type E14 Lamp



220-240 V, AC  
15 W

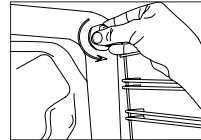


Figure 9

## Using The Grill Deflector Sheet \*

1. A safety panel is designed to protect control panel and the buttons when the oven is in grill mode. (figure 10)

2. Please use this safety panel in order to avoid the heat to damage control panel and the buttons when the oven is grill mode.

**WARNING:** Accessible parts may be hot when the grill in use. Young children should be kept away.

3. Place the safety panel under control panel by opening the oven front cover glass. (figure 11)

4. And then secure the safety panel in between oven and front cover by gently closing the cover. (figure 12)

5. It is important for cooking to keep the cover open in specified distance when cooking in grill mode.

6. Safety panel will provide an ideal cooking circumstance while protecting control panel and buttons.

**WARNING:** If the cooker has the “**closed grill functioned**” option with thermostat, you can keep the oven door closed during operation; in this case the grill deflector sheet will be unnecessary.

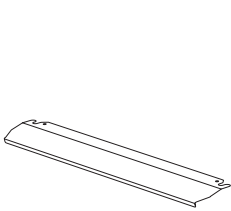


Figure 10

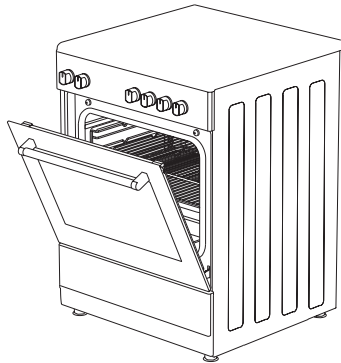


Figure 11

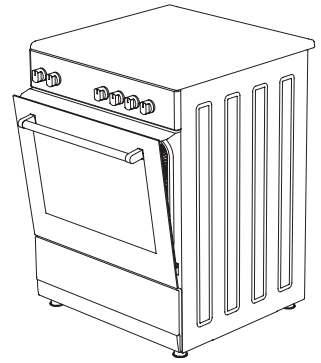


Figure 12

## TROUBLESHOOTING

You may solve the problems you may encounter with your product by checking the following points before calling the technical service.

### Check Points

In case you experience a problem about the oven, first check the table below and try out the suggestions.

Problem	Possible Cause	What to Do
<b>Oven does not operate.</b>	Power supply not available.	Check for power supply.
<b>Turns off during cooking.</b>	Too long continuous operation.	Let the oven cool down after long cooking cycles.
<b>Oven door is not opening properly.</b>	Food residues jammed between the door and internal cavity.	Clean the oven well and try to re-open the door.
<b>Electric shock when touching the oven.</b>	No proper grounding.	Make sure power supply is grounded properly.
	Ungrounded wall socket is used.	
<b>Water dripping.</b>	Water or steam may generate under certain conditions depending on the food being cooked. This is not a fault of the appliance.	Let the oven cool down and then wipe dry with a dishcloth.
<b>Steam coming out from a crack on oven door.</b>		
<b>Water remaining inside the oven.</b>		
<b>Smoke coming out during operation.</b>	When operating the oven for the first time	Smoke comes out from the heaters. This is not a fault. After 2-3 cycles, there will be no more smoke.
	Food on heater.	Let the oven to cool down and clean food residues from the heater.



<b>Problem</b>	<b>Possible Cause</b>	<b>What to Do</b>
<b>When operating the oven burnt or plastic odour coming out.</b>	Plastic or other not heat resistant accessories are being used inside the oven.	At high temperatures, use suitable glassware accessories.
<b>Oven does not heat.</b>	Oven door is open.	Close the door and restart.
	Oven controls not correctly adjusted.	Read the section regarding operation of the oven and reset the oven.
	Fuse tripped or circuit breaker turned off.	Replace the fuse or reset the circuit breaker. If this is repeating frequently, call an electrician.
<b>Oven does not cook well.</b>	Oven door is opened frequently during cooking.	Do not open oven door frequently, if the food you are cooking does not require turning. If you open the door frequently internal temperature drops and therefore cooking result will be influenced.
<b>Internal light is dim or does not operate.</b>	Foreign object covering the lamp during cooking.	Clean internal surface of the oven and check again.
	Lamp might be failed.	Replace with a lamp with same specifications.

## HANDLING RULES

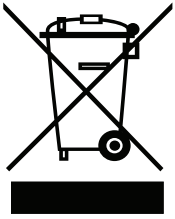
1. Do not use the door and/or handle to carry or move the appliance.
2. Carry out the movement and transportation in the original packaging.
3. Pay maximum attention to the appliance while loading/unloading and handling.
4. Make sure that the packaging is securely closed during handling and transportation.
5. Protect from external factors (such as humidity, water, etc.) that may damage the packaging.
6. Be careful not to damage the appliance due to bumps, crashes, drops, etc. while handling and transporting and not to break or deform it during operation.

## RECOMMENDATIONS FOR ENERGY SAVING

Following details will help you use your product ecologically and economically.

1. Use dark coloured and enamel containers that conduct the heat better in the oven.
2. As you cook your food, if the recipe or the user manual indicates that pre-heating is required, pre-heat the oven.
3. Do not open the oven door frequently while cooking.
4. Try not to cook multiple dishes simultaneously in the oven. You may cook at the same time by placing two cookers on the wire rack.
5. Cook multiple dishes successively. The oven will not lose heat.
6. Turn off the oven a few minutes before the expiration time of cooking. In this case, do not open the oven door.
7. Defrost the frozen food before cooking.

## ENVIRONMENTALLY-FRIENDLY DISPOSAL



Dispose of packaging in an environmentally-friendly manner.

This appliance is labelled in accordance with European Directive 2012/19/EU concerning used electrical and electronic appliances (waste electrical and electronic equipment - WEEE). The guideline determines the framework for the return and recycling of used appliances as applicable throughout to the EU.

## PACKAGE INFORMATION

Packaging materials of the product are manufactured from recyclable materials in accordance with our National Environment Regulations. Do not dispose of the packaging materials together with the domestic or other wastes. Take them to the packaging material collection points designated by the local authorities.

## Estimados Usuarios,

Nuestro objetivo es hacer que este producto le proporcione el mejor resultado. Este producto se fabrica en nuestras instalaciones, modernas, con un entorno de trabajo cuidadoso y en conformidad con el concepto de calidad total.

Por lo tanto, le sugerimos que lea el manual del usuario detenidamente antes de usar el producto y que lo tenga permanentemente a su disposición.

**Nota:** Este manual de usuario está preparado para más de un modelo. Algunas de las características especificadas en el manual pueden no estar disponibles en su dispositivo.

Todos nuestros electrodomésticos son solo para uso doméstico, no para uso comercial.

Los productos marcados con (\*) son opcionales.

**“Cumple con las Regulaciones WEEE”.**

## Contenido

Advertencias importantes.....	38
Formas de proteger la superficie cerámica de cocción.....	48
Conexión eléctrica.....	49
Introducción al uso del aparato.....	50
Accesorios.....	51
Características técnicas de su horno.....	52
Instalación del horno.....	53
Ilustración de amarre de cadena.....	55
Panel de mandos.....	55
Uso del horno.....	56
Uso de la parrilla.....	57
Uso del asador de pollo.....	57
Uso de la sección de la estufa.....	58
Tipos de programas.....	60
Tabla de horneado y asado.....	61
Mantenimiento y limpieza.....	62
Montaje de puerta de horno.....	63
Limpieza y mantenimiento del vidrio	
De la puerta frontal del horno.....	64
Paredes catalíticas.....	64
Posiciones del estante.....	65
Cambio de la lámpara del horno.....	65
Uso de la hoja deflectora de la parrilla.....	66
Solución de problemas.....	67
Reglas de manipulación.....	69
Recomendaciones para el ahorro de energía.....	69
Eliminación respetuosa con el medio ambiente.....	70
Información sobre el embalaje.....	70

## ADVERTENCIAS IMPORTANTES

1. La instalación y la reparación siempre deben ser realizadas por el **“SERVICIO AUTORIZADO”**. El fabricante no se hace responsable de las operaciones realizadas por personas no autorizadas.

2. Lea atentamente estas instrucciones de funcionamiento. Solo de esta manera puede usar el dispositivo de forma segura y correcta.

3. El horno debe usarse de acuerdo con las instrucciones de funcionamiento.

4. Mantenga a los niños menores de 8 años y a las mascotas alejados cuando opere.

5. **ADVERTENCIA: Las partes accesibles pueden estar calientes al usar la parrilla. Manténgalos alejados de los niños.**

6. **ADVERTENCIA: Peligro de incendio, no guarde los materiales en la superficie de cocción.**

7. **ADVERTENCIA: El aparato y sus partes accesibles están calientes durante la operación.**

8. Las condiciones de configuración de este dispositivo se especifican en la etiqueta. (O en la placa de datos)

9. Las partes accesibles pueden estar calientes cuando se usa la parrilla. Los niños pequeños deberían mantenerse lejos.

10. **ADVERTENCIA: Este aparato está diseñado para cocinar. No debe utilizarse para otros propósitos, como para calefacción.**

11. Para limpiar el aparato, no use limpiadores de vapor.

12. Asegúrese de que la puerta del horno esté completamente cerrada después de colocar los alimentos dentro del horno.

13. NO TRATE NUNCA de apagar el fuego con agua. Solo apague el circuito del dispositivo y luego cubra la llama con una cubierta o una manta ignífuga.

14. En caso de no poder vigilar adecuadamente a los menores de 8 años, deberá mantenerles lejos del aparato.

15. Debe evitarse tocar los elementos calientes.

**16. PRECAUCIÓN: El proceso de cocción deberá ser supervisado. El proceso de cocción siempre deberá ser supervisado.**

17. Este dispositivo puede ser utilizado por niños mayores de 8 años, personas con problemas físicos, auditivos o mentales o personas con falta de experiencia o conocimiento, siempre que se garantice el control o se les proporcione información sobre los peligros.

18. Este dispositivo ha sido diseñado solo para uso doméstico.

19. Los niños no deben jugar con el aparato. La limpieza o el mantenimiento al aparato por parte del usuario no debe ser realizado por niños a menos que sean mayores de 8 años y sean supervisados por adultos.

20. Mantenga el aparato y su cable de alimentación lejos de niños menores de 8 años.

**21.** Coloque cortinas, tul, papel o cualquier material inflamable (inflamable) lejos del aparato antes de comenzar a usarlo. No coloque materiales inflamables encima o dentro del aparato.

**22.** Mantenga abiertos los canales de ventilación.

**23.** El aparato no es adecuado para su uso con un temporizador externo o un sistema de control remoto por separado.

**24.** No caliente latas cerradas ni frascos de vidrio. La presión puede llevar a los tarros a explotar.

**25.** El asa del horno no es un colgador de toallas. No cuelgue toallas, etc. en el asa del horno.

**26.** No coloque las bandejas del horno, platos u hojas de aluminio directamente sobre la base del horno. El calor acumulado puede dañar la base del horno.

**27.** Mientras coloca alimentos o retira alimentos del horno, etc., siempre use guantes resistentes al calor.

**28.** No use el producto estando bajo medicación y/o bajo la influencia del alcohol, que puede afectar su capacidad de buen juicio.

**29.** Tenga cuidado al usar alcohol en sus alimentos. El alcohol se evaporará a altas temperaturas y puede prenderse fuego y causar un incendio si entra en contacto con superficies calientes.

**30.** Después de cada uso, verifique si la unidad está apagada.

**31.** Si el aparato está defectuoso o tiene un daño visible, no lo haga funcionar.



**32.** No use el aparato con el cristal de la puerta frontal retirado o roto.

**33.** Coloque el papel de hornear junto con la comida en un horno precalentado poniéndolo dentro de una olla o en un accesorio de horno (bandeja, parrilla de alambre, etc.).

**34.** No coloque objetos que puedan alcanzar los niños en el aparato.

**35.** Es importante colocar la parrilla de alambre y la bandeja correctamente en los estantes de alambre y/o colocar correctamente la bandeja en el estante. Coloque la parrilla o bandeja entre dos rieles y asegúrese de que esté equilibrada antes de poner comida sobre ella.

**36.** Contra el riesgo de tocar los elementos del calentador del horno, retire las partes sobrantes del papel de hornear que cuelgan del accesorio o contenedor.

**37.** Nunca lo use a temperaturas de horno superiores a la temperatura de uso máxima indicada en su papel de hornear. No coloque el papel de hornear en la base del horno.

**38.** Cuando la puerta esté abierta, no coloque ningún objeto pesado sobre la puerta ni permita que los niños se sienten en ella. Puede hacer que el horno vuelque o que las bisagras de la puerta se dañen.

**39.** Los materiales de embalaje son peligrosos para los niños. Mantenga los materiales de embalaje lejos del alcance de los niños.

**40.** No utilice limpiadores abrasivos ni raspadores metálicos afilados para limpiar el cristal, ya que los arañazos que pueden ocurrir en la superficie del cristal de la puerta pueden hacer que el cristal se rompa.

**41.** No golpee las superficies de vidrio de las hornillas de vitrocerámica con un metal duro, la resistencia podría dañarse. Puede causar una descarga eléctrica.

**42.** El usuario no debe manejar el horno solo.

**43.** El usuario debe tener cuidado al limpiar los quemadores de gas. Puede causar lesiones personales.

**44.** La comida puede derramarse cuando se desmonta el pie del horno o se rompe, tenga cuidado. Puede causar lesiones personales.

**45.** Durante el uso, las superficies internas y externas del horno se calientan. Cuando abra la puerta del horno, retroceda para evitar que salga vapor caliente del interior. Hay riesgo de quemaduras.

**46.** La tapa superior del horno puede cerrarse por una buena razón, y es que el envase de cocción puede voltearse. Dé un paso atrás para evitar que le llegue el calor de la comida. Hay riesgo de quemaduras.

**47.** No coloque objetos pesados cuando la puerta del horno esté abierta, existe el riesgo de que se voltee.

**48.** El usuario no debe dislocar la resistencia durante la limpieza. Puede causar una descarga eléctrica.

**49.** No quite los interruptores de encendido del aparato. De lo contrario, se puede acceder a los cables eléctricos vivos. Puede causar una descarga eléctrica.

**50.** El suministro del horno se puede desconectar durante cualquier trabajo de construcción en el hogar. Después de completar el trabajo, vuelva a conectar el horno debe ser hecho por un servicio autorizado.

**51.** No coloque envases metálicos como cuchillos, tenedores o cucharas en la superficie del aparato, ya que se calientan.

**52.** Para evitar el sobrecalentamiento, el aparato no debe instalarse detrás de una cubierta decorativa.

**53.** Apague el aparato antes de quitar las protecciones. Después de limpiar, instale las protecciones de acuerdo con las instrucciones.

**54.** El punto de fijación del cable debe estar protegido.

**55.** No cocine la comida directamente en la bandeja/rejilla. Por favor, ponga la comida en las herramientas adecuadas antes de ponerlas en el horno.

**56. PRECAUCIÓN: Si el cristal del horno está roto, apague inmediatamente cualquier elemento de calentamiento y desconecte el artefacto de la fuente de alimentación, no toque la superficie del electrodoméstico ni lo use.**

## Seguridad eléctrica

1. Haga que un electricista autorizado instale un equipo de puesta a tierra. Nuestra empresa no será responsable por los daños que se incurrirán debido al uso del producto sin conexión a tierra de acuerdo con las reglamentaciones locales.

2. Los interruptores automáticos del horno deben colocarse de modo que el usuario final pueda alcanzarlos cuando el horno esté instalado.

3. El cable de alimentación no debe entrar en contacto con las partes calientes del dispositivo.


4. Si el cable de suministro de energía está dañado, este cable debe ser reemplazado por el fabricante o su agente de servicio o un personal igualmente calificado para evitar una situación peligrosa.

5. NUNCA lave el producto rociando o vertiendo agua sobre él! Existe el riesgo de electrocución.

6. **ADVERTENCIA: Para evitar descargas eléctricas, asegúrese de que el circuito del dispositivo esté abierto antes de cambiar la lámpara.**

7. **ADVERTENCIA: Corte todas las conexiones del circuito de suministro antes de acceder a las terminales.**

8. **ADVERTENCIA: Si la superficie está agrietada, apague el aparato para evitar el riesgo de descarga eléctrica.**



**9.** No use cables cortados o dañados o cables de extensión que no sean el cable original.

**10.** La superficie posterior del horno también se calienta cuando se opera el horno. Las conexiones eléctricas no deben tocar la superficie posterior, de lo contrario, las conexiones podrían dañarse.

**11.** No apriete los cables de conexión a la puerta del horno y no los aplique sobre superficies calientes. Si el cable se derrite, esto puede provocar un cortocircuito en el horno e incluso un incendio.

**12.** Si el cable de alimentación está dañado, debe ser reemplazado por su fabricante o servicio técnico autorizado o cualquier otro personal calificado en el mismo nivel, para evitar cualquier situación peligrosa.

**13.** No use limpiadores a vapor para limpiar el aparato, de lo contrario puede ocurrir una descarga eléctrica.

**14.** Se requiere un interruptor omnipolar capaz de desconectar la fuente de alimentación para la instalación. La desconexión de la fuente de alimentación debe proporcionarse con un interruptor o un fusible integrado instalado en una fuente de alimentación fija de acuerdo con el código de construcción.

15. El dispositivo está equipado con un cable **tipo “Y”**.

16. Las conexiones fijas se deben conectar a una fuente de alimentación que permita la desconexión omnipolar. Para dispositivos con categoría de sobretensión por debajo de III, el dispositivo de desconexión se conectará a la fuente de alimentación fija de acuerdo con el código de cableado.

## Uso previsto

- 1.** Este aparato está diseñado para uso en el hogar. El uso comercial del aparato no está permitido.
- 2.** Este aparato solo se puede usar para cocinar. No debe usarse para otros fines, como calentar una habitación.
- 3.** Este aparato no debe usarse para calentar placas debajo de la parrilla, para secar la ropa o las toallas colgándolas en el asa o con fines de calefacción.
- 4.** El fabricante no asume ninguna responsabilidad por los daños debidos al mal uso o mal manejo.
- 5.** La parte del horno de la unidad se puede usar para descongelar, asar, freír y asar alimentos.
- 6.** La vida operativa del producto que ha comprado es de 10 años. Este es el período durante el cual el fabricante proporciona los recambios necesarios para el funcionamiento de este producto según lo definido.

## Formas De Proteger La Superficie Cerámica De Cocción

La superficie cerámica es irrompible y resistente a los rayones hasta cierto punto. Sin embargo, a fin de evitar cualquier daño, puede hacer lo siguiente:

**1.** No verter nunca agua fría en los calentadores calientes.

**2.** No se pare en una placa de vidrio de cerámica.

**3.** La presión repentina, por ejemplo, el efecto de un salero que cae puede ser crítica. Por lo tanto, no coloque dichos objetos en un lugar sobre las placas.

**4.** Después de cada uso, asegúrese de que la base de la olla y las superficies de las zonas de cocción estén limpias y secas.

**5.** No pele las verduras en las superficies de la encimera. Los granos de arena que caen de las verduras pueden rayar la placa de vidrio de cerámica.

**6.** No coloque materiales inflamables como cartón o plástico en el horno. Los objetos como el estaño, el zinc o el aluminio (así como las hojas de aluminio o las cafeteras vacías) pueden derretirse en las superficies calientes de cocción y causar daños.

**7.** Tenga cuidado de no dejar que las comidas azucaradas o los jugos de frutas entren en contacto con las zonas de cocción calientes. La superficie de vidrio cerámico puede ser manchada por estos.



## Conexión Eléctrica

1. Su horno requiere un fusible de 40 amperios de acuerdo con la potencia del dispositivo. Si es necesario, se recomienda la instalación por un electricista calificado.

2. Su horno se ajusta de acuerdo con el suministro eléctrico de 220-240V CA / 380-415V CA, 50/60 Hz.. Si la red eléctrica es diferente a este valor especificado, comuníquese con su servicio autorizado.

3. La conexión eléctrica del horno solo debe realizarse con los enchufes con el sistema de tierra instalado de acuerdo con las normas. Si no hay una toma adecuada con el sistema de tierra en el lugar donde se colocará el horno, comuníquese inmediatamente con un electricista calificado. El fabricante nunca será responsable de los daños que puedan surgir debido a los enchufes conectados al aparato sin sistema de tierra. Si los extremos del cable de conexión eléctrica están abiertos, de acuerdo con el tipo de aparato, instale un interruptor apropiado en la red eléctrica, con el cual se pueden desconectar todos los extremos en caso de conexión/desconexión de la red eléctrica.

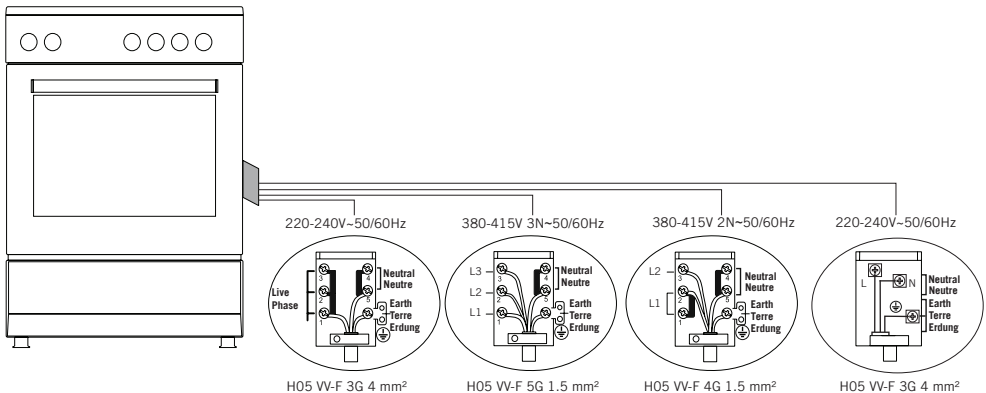
4. Si su cable de suministro eléctrico está defectuoso, definitivamente debe ser reemplazado por el servicio autorizado o electricistas calificados para evitar los peligros.

5. El cable eléctrico no debe tocar las partes calientes del aparato.

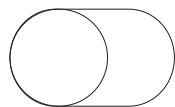
6. Por favor, use su horno en un ambiente seco.

7. Cuando coloque el horno en su ubicación, asegúrese de que esté en el nivel del mostrador. Llévelo al nivel del mostrador ajustando las patas si es necesario.

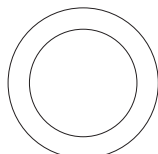
## Esquema de conexión eléctrica



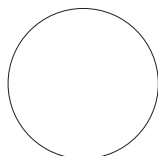
## INTRODUCCIÓN AL USO DEL APARATO



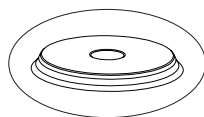
11



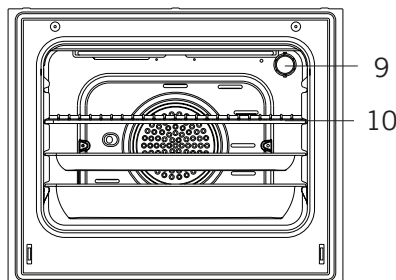
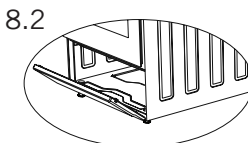
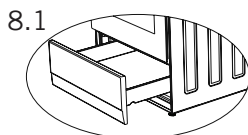
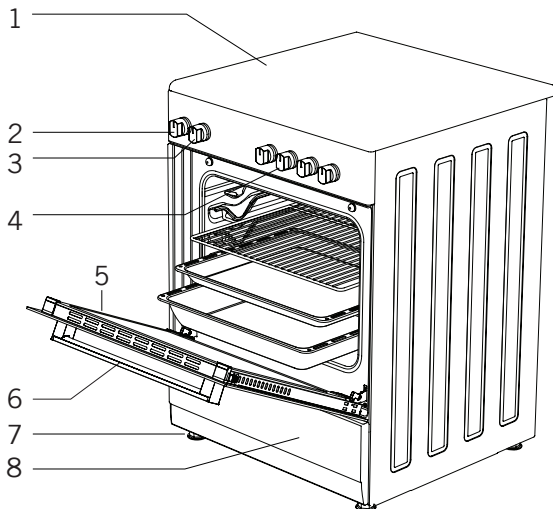
12



13



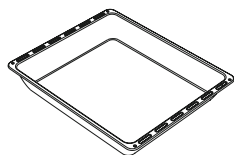
14



- 1. Bandeja de vidrio superior
- 2. Perilla del termostato
- 3. Panel de mandos del horno
- 4. Reguladores de los quemadores vitr  
cerámicos
- 5. Puerta del horno
- 6. Mango
- 7. Pata de plástico
- 8. Puerta inferior del gabinete

- 8.1. Cajón
- 8.2. Puerta abatible
- 9. Bombilla
- 10. Parrilla
- 11. Calentador cerámico (140 mm / 250 mm)
- 12. Calentador cerámico (120 mm / 180 mm)
- 13. Calentador cerámico (140 mm o 180 mm)
- 14. Placa caliente (145 mm o 185 mm)

## Accesorios



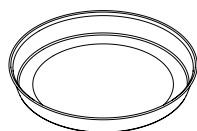
### **Bandeja profunda \***

Se utiliza para pastelería, fritas y guiso. También puede utilizarla como recipiente de acumular aceite cuando se cocina pastel, comidas congeladas y comidas de carne directamente sobre parrilla.



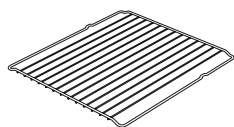
### **Bandeja / Bandeja vidrio \***

Se utiliza para pastelería (galleta e.t.c) y alimentos congelados.



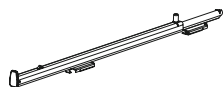
### **Bandeja redonda \***

Se utiliza para pastelería congelada.



### **Parrilla de alambre**

Se utiliza para poner en estantería deseada las comidas congeladas, las comidas para freír o las comidas al horno.



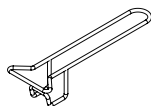
### **Carril telescópico \***

Gracias a reiles telescópicos las bandejas o estantería de alambre se puede poner y quitar fácilmente.



### **Parrilla de alambre dentro de bandeja \***

Los alimentos que pueden pegar al cocinar como bistec se pueden cocinar sobre la parrilla de alambre dentro de la bandeja. Así se evita que los alimentos se peguen a la bandeja.



### **Asa de la bandeja \***

Se usa para sostener bandejas calientes.

## Características Técnicas De Su Horno

Propiedades	50x55	50x60	60x60
Ancho exterior	500 mm	500 mm	600 mm
Profundidad externa	565 mm	630 mm	630 mm
Altura exterior	855 mm	855 mm	855 mm
Potencia de la lámpara	15-25 W		
Elemento de calefacción inferior	1000 W	1000 W	1200 W
Elemento calentador superior	800 W	800 W	1000 W
Elemento calentador turbo	-----	1800 W	2200 W
Elemento calentador de la parrilla	1500 W	1500 W	2000 W
Tensión de suministro	220-240V AC/380-415V AC 50/60 Hz		
Placa caliente 145 mm *	1000 W		
Placa caliente 180 mm *	1500 W		
Placa caliente rápida 145 mm *	1500 W		
Placa caliente rápida 180 mm *	2000 W		
Calentador cerámico 140 mm *	1200 W		
Calentador cerámico 180 mm *	1700 W / 1800 W		
Calentador cerámico 140 mm / 250 mm *	1800 W		
Calentador cerámico 120 mm / 180 mm *	1700 W		

**ADVERTENCIA:** Para que el servicio autorizado realice la modificación, se debe tomar en consideración esta tabla. El fabricante no se hace responsable de cualquier problema que surja debido a cualquier modificación defectuosa.

**ADVERTENCIA:** Para aumentar la calidad del producto, las especificaciones técnicas pueden modificarse sin previo aviso.

**ADVERTENCIA:** Los valores indicados en el aparato o en la documentación que lo acompaña, son lecturas de laboratorio de acuerdo con la correspondiente normativa. Estos valores pueden variar según el uso y las condiciones ambientales.

## INSTALACIÓN DEL HORNO

Verifique si la instalación eléctrica es adecuada para poner el aparato en funcionamiento. Si la instalación de electricidad no es adecuada, llame a un electricista y un plomero para organizar los servicios públicos según sea necesario. El fabricante no se hace responsable de los daños causados por las operaciones realizadas por personas no autorizadas.

**ADVERTENCIA:** Es responsabilidad del cliente preparar la ubicación donde se colocará el producto y también tener preparada la instalación eléctrica.

**ADVERTENCIA:** Se deben seguir las reglas en los estándares locales sobre instalaciones eléctricas durante la instalación del producto.

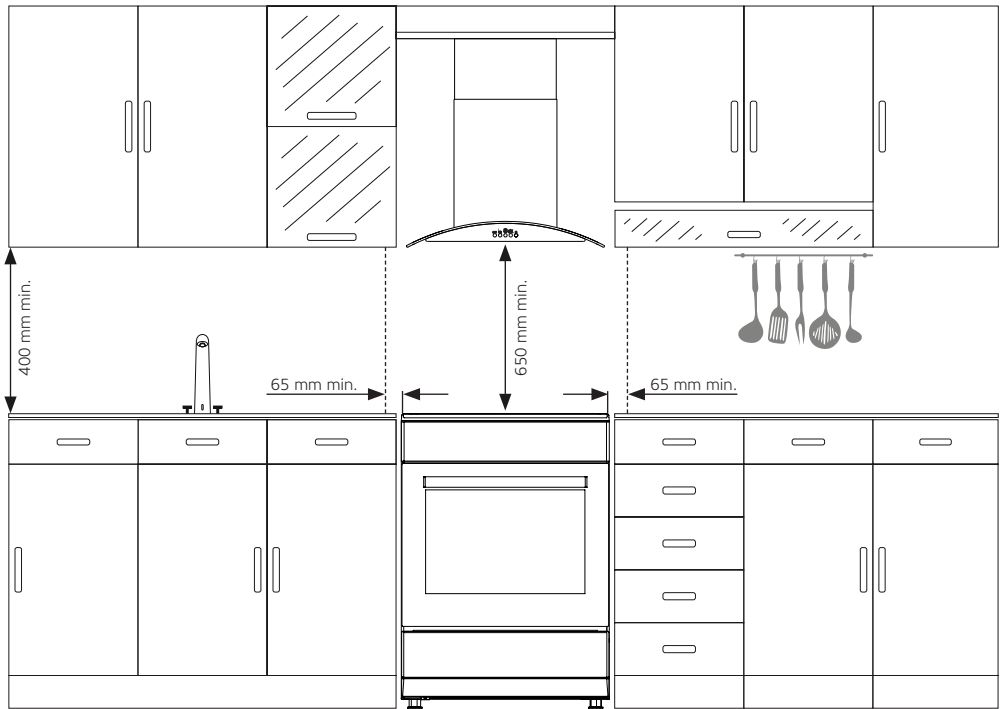
**ADVERTENCIA:** Verifique que no haya daños en el aparato antes de instalarlo. No instale el aparato si está dañado. Los productos dañados causan un riesgo para su seguridad.

### Lugar correcto para la instalación y advertencias importantes

Las patas del aparato no deben permanecer sobre superficies blandas, como las alfombras. El piso de la cocina debe ser durable para transportar el peso de la unidad y cualquier otro utensilio de cocina que pueda usarse en el horno.

El aparato debe utilizarse con un espacio libre de al menos 400 mm sobre las superficies de la encimera superior, y 65 mm de las superficies laterales dentro de los muebles de la cocina.

El aparato es adecuado para usarse en ambas paredes laterales, sin ningún tipo de soporte, o sin instalarlo en un armario. Si se instalará una campana o extractor encima de la estufa, siga las instrucciones del fabricante para la altura de montaje. (mín. 650 mm)

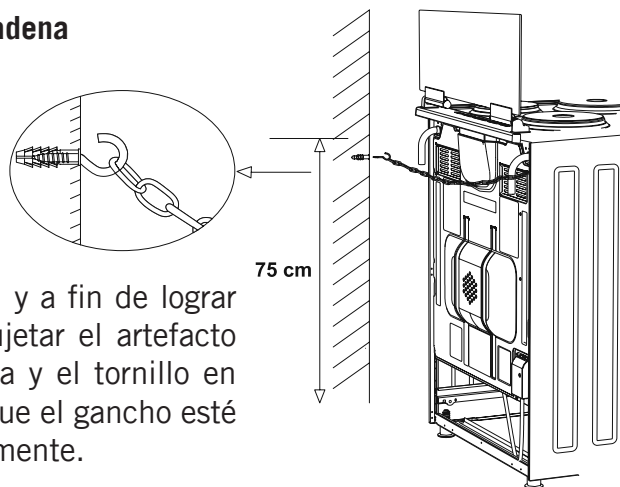


**ADVERTENCIA:** Los muebles de cocina cerca del electrodoméstico deben ser resistentes al calor.

**ADVERTENCIA:** No instale el aparato al lado de refrigeradores o refrigeradores. El calor irradiado por el aparato aumenta el consumo de energía de los dispositivos de refrigeración.

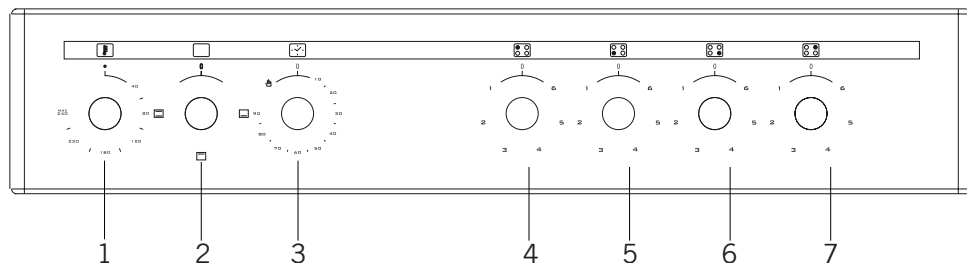
**ADVERTENCIA:** No use la puerta y/o el asa para transportar o mover el aparato.

## Ilustración De Amarre De Cadena



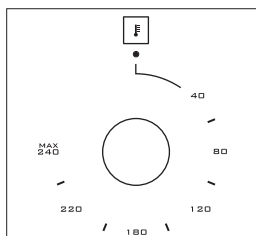
Antes de usar el artefacto, y a fin de lograr un uso seguro, no olvide sujetar el artefacto al muro utilizando la cadena y el tornillo en gancho provisto. Verifique que el gancho esté atornillado en el muro firmemente.

## PANEL DE MANDOS

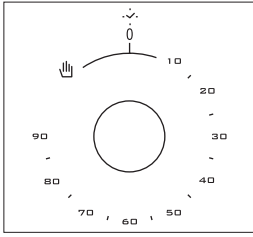


1. Termostato
2. Botón de selección de funciones
3. Temporizador mecánico \*
4. Calentador eléctrico trasero izquierdo
5. Calentador eléctrico delantero izquierdo
6. Calentador eléctrico delantero derecho
7. Calentador eléctrico trasero derecho

**ADVERTENCIA:** El panel de mandos de arriba es solo para fines ilustrativos. Considere el panel de mandos en su dispositivo.



**Termostato:** Se usa para determinar la temperatura de cocción del plato a cocinar en el horno. Después de colocar la comida dentro del horno, gire el interruptor para ajustar la temperatura deseada entre 40-240 °C. Para las temperaturas de cocción de diferentes alimentos, vea la tabla de cocción.



**Temporizador mecánico\*:** Se usa para determinar el tiempo para cocinar en el horno. Cuando expira el tiempo ajustado, la energía de los calentadores se apaga y se emite una señal de advertencia audible. El temporizador mecánico se puede ajustar al período deseado entre 0-90 minutos. Para los períodos de cocción, consulte las tablas de cocción.

## USO DEL HORNO

### Uso De Elementos De Calentamiento Del Horno

1. Cuando el horno se usa por primera vez, se extenderá un olor que se obtendrá del uso de los elementos de calentamiento. Para deshacerse de esto, opere a 240 °C durante 45-60 minutos mientras está vacío.
2. La perilla de control del horno debe colocarse al valor deseado, de lo contrario, el horno no funcionará.
3. El tipo de comidas, los tiempos de cocción y las posiciones del termostato se dan en la tabla de cocción. Los valores que figuran en la tabla de cocción son valores característicos y se obtuvieron como resultado de las pruebas realizadas en nuestro laboratorio. Puede encontrar diferentes sabores adecuados para su gusto dependiendo de sus hábitos de cocina y uso.
4. Puede hacer pollo asado en su horno por medio de los accesorios.
5. Tiempos de cocción: Los resultados pueden cambiar de acuerdo con el voltaje de área y el material que tiene diferente calidad, cantidad y temperaturas.
6. Durante el tiempo en que se cocina en el horno, la tapa del horno no debe abrirse con frecuencia. De lo contrario, la circulación del calor puede desequilibrarse y los resultados pueden cambiar.



## Uso De La Parrilla

1. Cuando coloque la parrilla en el estante superior, la comida en la parrilla no tocará la resistencia.
2. Puede precalentar durante 5 minutos mientras asa a la parrilla. Si es necesario, puede voltear la comida boca abajo.
3. La comida debe estar en el centro de la parrilla para proporcionar el máximo flujo de aire a través del horno.

### Para encender la parrilla:

1. Coloque el botón de función sobre el símbolo de la parrilla.
2. Luego, ajústelo a la temperatura deseada de la parrilla.

### Para apagar la parrilla:

Coloque el botón de función en la posición de apagado.

**ADVERTENCIA:** Mantenga la puerta del horno cerrada mientras cocina a la parrilla. (parrilla eléctrica)

**ADVERTENCIA:** Mantenga la puerta del horno abierta mientras cocina a la parrilla. (parrilla de gas)

## Uso Del Asador De Pollo \*

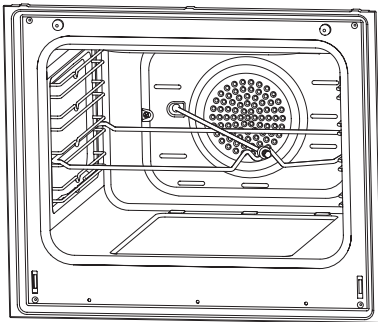


Figura 1

Coloque el asador en el marco. Deslice y gire el marco en el horno al nivel deseado. Ponga una sartén en la parte inferior para recoger los restos. Añada un poco de agua a la sartén para limpiarla más fácilmente. No olvide quitar la parte de plástico del asador. Después de terminar con la parrilla, atornille la asa de plástico a la brocheta y saque la comida del horno.

## Uso Y Descripción De La Vitrocerámica

	Nivel 1	Nivel 2	Nivel 3	Nivel 4	Nivel 5	Nivel 6	Nivel 7	Nivel 8	Nivel 9	Máx.
140 mm Conmutador	130 W	206 W	350 W	500 W	850 W	1200 W	---	---	---	---
180 mm Conmutador	180 W	470 W	790 W	850 W	1230 W	1700 W	---	---	---	---
180 mm Regulador	1800 W	1800 W	1800 W	1800 W	1800 W	1800 W	1800 W	1800 W	1800 W	---
140/250 mm	1000 W	1000 W	1000 W	1000 W	1000 W	1000 W	1000 W	1000 W	1000 W	1800 W
120/180 mm Doble	700 W	700 W	700 W	700 W	700 W	700 W	700 W	700 W	700 W	1700 W

**1.** Encienda con los botones del panel de control. Usted puede ajustar la potencia de acuerdo a la temperatura deseada.

**2.** Con el fin de tener un éxito de la cocina, el fondo de la cacerola debe ser grueso y recto, si es posible.

**3.** El tamaño de la cacerola debe ser idéntica a la de la zona de cocción. Apague la zona de cocción antes del fin de cocción para obtener el calor residual.

**4.** Gire el mando para girar en el sentido de las agujas del reloj. La temperatura se limita a lo indicado en el botón.

**5.** Para doble cocción, el primer círculo es zona única, el segundo círculo se encenderá después de colocar el botón de "max". Al girar el mando, el primer círculo se iluminará y la segunda potencia se reducirá hasta la temperatura deseada. La posición "0" significa que todas las áreas se apagarán

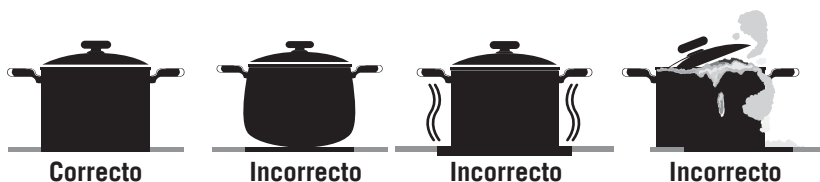
## Uso De Placas De Calentamiento

	Nivel 1	Nivel 2	Nivel 3	Nivel 4	Nivel 5	Nivel 6
80 mm	200 W	250 W	450 W	---	---	---
145 mm	250 W	750 W	1000 W	---	---	---
180 mm	500 W	750 W	1500 W	---	---	---
145 mm rápido	500 W	1000 W	1500 W	---	---	---
180 mm rápido	850 W	1150 W	2000 W	---	---	---
145 mm	95 W	155 W	250 W	400 W	750 W	1000 W
180 mm	115 W	175 W	250 W	600 W	850 W	1500 W
145 mm rápido	135 W	165 W	250 W	500 W	750 W	1500 W
180 mm rápido	175 W	220 W	300 W	850 W	1150 W	2000 W
220 mm	220 W	350 W	560 W	910 W	1460 W	2000 W

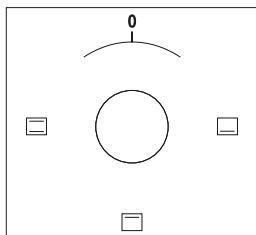
1. Las placas eléctricas tienen un estándar de 6 niveles de temperatura. (como se describió antes)

2. Cuando lo use por primera vez, opere su placa de calentamiento eléctrica en la posición 6 durante 5 minutos. Esto hará que el agente en su placa de calentamiento sensible al calor se endurezca al quemarlo.

3. Use cazos de fondo plano que entren en contacto con el calor tanto como sea posible, para que pueda usar la energía de manera más productiva.



## TÍPOS DE PROGRAMAS



**Botón de función:** Se usa para determinar los calentadores a ser utilizados para cocinar el plato en el horno. Los tipos de programas de cocción en este botón y sus funciones se describen a continuación. Todos los tipos de calentadores y tipos de programas que constan de estos calentadores pueden no estar disponibles en todos los modelos.

	Rostizador		Ventilador
	Elemento calentador superior + inferior		Calentador turbo + ventilador
	Lámpara		Elementos calentador superior + inferior + ventilador
	Elemento calentador inferior + ventilador		Elemento calentador de la parrilla + ventilador
	Elemento calentador de la parrilla		Quemador de la parrilla / Elemento calentador de la parrilla
	Elemento calentador de la parrilla + lámpara		Elemento calentador superior
	Temporizador eléctrico		Quemador del horno / Elemento calentador inferior

**ADVERTENCIA:** Todos los tipos de calentadores y tipos de programas que constan de estos calentadores pueden no estar disponibles en todos los modelos.

## TABLA DE HORNEADO Y ASADO

**ADVERTENCIA:** Deberá precalentar el horno durante 10 minutos antes de colocar alimentos en él.

Alimentos	Función de Cocción	Temperatura Cocción (°C)	Parrilla Cocción	Tiempo de Cocción (mín.)
Pastel	Estático / Estático+Ventilador	170-180	2	35-45
Pequeñas tortas	Estático / Turbo+Ventilador	170-180	2	25-30
Empanada	Estático / Estático+Ventilador	180-200	2	35-45
Pasteles	Estático	180-190	2	25-30
Galletas	Estático	170-180	3	20-25
Pie de manzana	Estático / Turbo+Ventilador	180-190	2	50-70
Bizcocho esponjoso	Estático	200/150 *	2	20-25
Pizza	Estático+Ventilador	180-200	3	20-30
Lasaña	Estático	180-200	2	25-40
Merengue	Estático	100	2	60
Pollo	Estático+Ventilador / Turbo+Ventilador	180-190	2	45-50
Pollo a la parrilla **	Parrilla	200-220	4	25-30
Pescado asado **	Parrilla+Ventilador	200-220	4	25-30
Solomillo **	Parrilla+Ventilador	Max.	4	15-20
Albóndiga **	Parrilla	Max.	4	20-25

\* Sin precalentamiento. La mitad de la cocción debe ser de 200 °C y luego la segunda mitad debe ser 150 °C.

\*\* Durante la mitad de la cocción, la comida debe ser volteada.

## MANTENIMIENTO Y LIMPIEZA

1. Mientras se está haciendo funcionar el horno o poco después de que comience a funcionar, alcanzará altísimas temperaturas. Debe evitar tocarlo en las partes que se calientan.

2. No limpie nunca la parte interior, el panel, la tapa, las bandejas y todas las otras partes del horno con herramientas como cepillos duros, esponjas metálicas o cuchillos. No utilice productos ni detergentes que sean abrasivos o corrosivos.

3. Tras la limpieza de las partes interiores del horno con un paño jabonoso, enjuáguelo y luego séquelo bien con un paño suave.

4. Limpie las superficies de vidrio con productos limpiadores específicos para vidrio.

2. No limpie el horno con limpiadores a vapor.

3. Antes de abrir la tapa superior del horno, limpie el líquido derramado de la tapa. También, antes de cerrar la tapa, asegúrese de que la encimera de la cocina se haya enfriado lo suficiente.

7. No utilice nunca productos inflamables como ácido, disolvente y gasolina para la limpieza del horno.

8. No lave ninguna de las partes del horno en el lavavajillas.

9. Para limpiar la tapa frontal del horno, quite los tornillos fijadores que sostienen la manija por medio de un destornillador y retírelos de la puerta del horno. Luego, límpiela y lávela cuidadosamente. Una vez seca, coloque el vidrio del horno con cuidado en su lugar y vuelva a colocar la manija.

## Montaje De Puerta De Horno

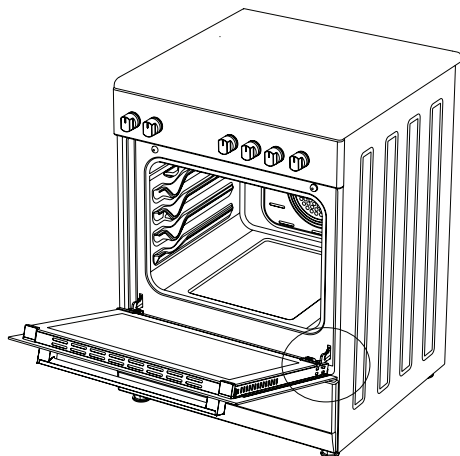


Figura 2

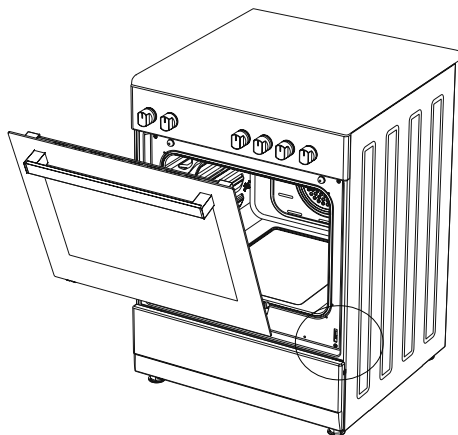


Figura 3

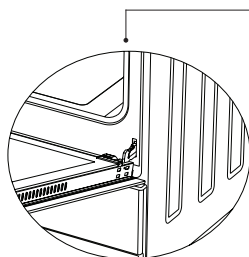


Figura 2.1

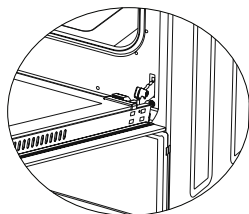


Figura 2.2

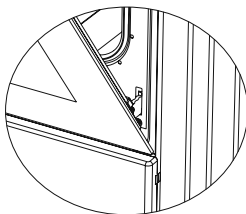


Figura 3.1

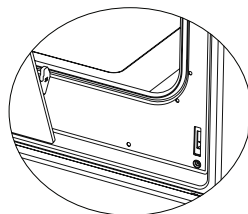


Figura 3.2

Abre la puerta del horno totalmente tirándola hacia usted. Después Como **figura 2.1** realiza la apertura de cerradura tirando hacia arriba la cerradura de la bisagra con ayuda de un destornillador.

Pon la cerradura de la bisagra como **figura 2.2** a posición más ancha. Pon en misma posición las dos bisagras que juntan el horno y la puerta del horno.

Después cierra la puerta del hornocomo **figura 3.1** hasta que llegue a la cerradura de bisagra.

Para quitar la puerta del horno, cuando la puerta está cerca a la posición cerrada esfuerzala hacia arriba como se ve en **figura 3.2**.

Para poner la puerta del horno de nuevo a su lugar, realice el proceso de quitar al revés.

## Limpeza Y Mantenimiento Del Vidrio De La Puerta Frontal Del Horno

Retire el perfil presionando los enganches plásticos tanto a la derecha como a la izquierda según se indica en la figura 4 y traccionando el perfil hacia usted como se indica en la figura 5. Luego retire el vidrio interno según se indica en la figura 6. Si es necesario, el vidrio del medio puede retirarse del mismo modo. Una vez realizados la limpieza y el mantenimiento, vuelva a instalar los vidrios y el perfil en el orden inverso. Asegúrese de que el perfil esté correctamente asentado en su lugar.

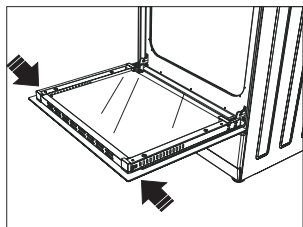


Figura 4

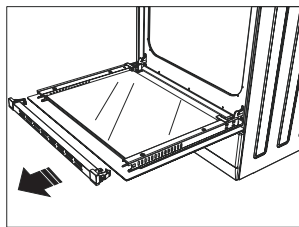


Figura 5

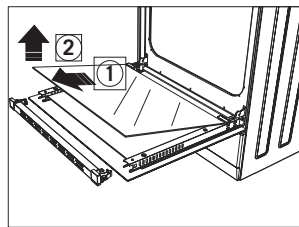


Figura 6

### Paredes catalíticas \*

Las paredes catalíticas a la izquierda y a la derecha debajo de las guías. Las paredes catalíticas expulsan el mal olor y ofrecen el mejor rendimiento por parte de la cocina. Las paredes catalíticas también absorben los residuos de aceite y limpian el horno mientras está funcionando.

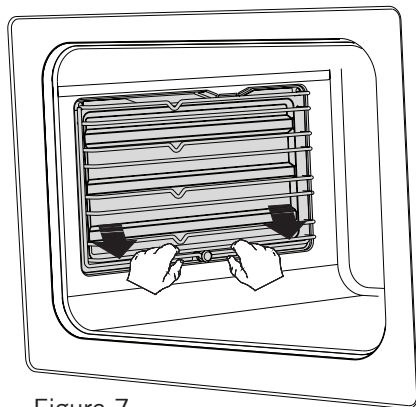


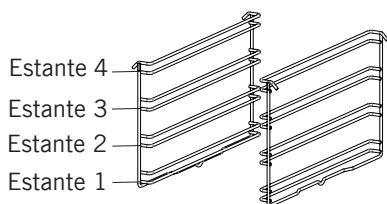
Figura 7

### Retirar las paredes catalíticas

Para retirar las paredes catalíticas, debe extraer las guías. Tan pronto como haya extraído las guías, las paredes catalíticas se liberarán automáticamente. Las paredes catalíticas deben cambiarse cada 2-3 años.



## Posiciones Del Estante



Es importante colocar la rejilla de alambre en el horno adecuadamente. No permita que el estante de alambre toque la pared trasera del horno. Las posiciones de los estantes se muestran en la siguiente figura. Puede colocar una bandeja profunda o una bandeja estándar en los estantes de alambre inferior y superior.

## Instalación y eliminación de estantes de alambre

Para quitar los estantes de alambre, presione los clips que se muestran con las flechas en la figura, primero quite la parte inferior y la parte superior de la ubicación de instalación. Para instalar estantes de alambre, invierta el procedimiento para quitar el estante de alambre.

## Cambio De La Lámpara Del Horno

**ADVERTENCIA:** Para evitar descargas eléctricas, asegúrese de abrir el circuito del aparato antes de cambiar la luz. (tener el circuito abierto significa que el suministro eléctrico está desactivado)

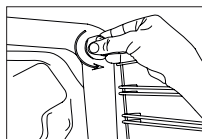
En primer lugar, desconecte el suministro eléctrico del aparato y asegúrese de que el aparato esté frío.

Retire la protección de cristal girándolo tal como se indica en la imagen lateral izquierda. Si tiene alguna dificultad para realizar el giro, usar guantes de plástico le ayudará.

Luego, gire la lámpara para retirarla y coloque la nueva lámpara de la misma manera.

Vuelve a colocar la protección de cristal del aparato en la toma de corriente y finalice la sustitución. Ahora podrá usar el horno.

### Tipo G9 Lámpara



220-240 V, AC  
15-25 W

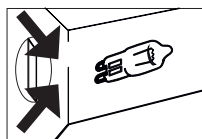


Figura 8

### Tipo E14 Lámpara



220-240 V, AC  
15 W



Figura 9

## Uso De La Hoja Deflectora De La Parrilla \*

1. Un panel de seguridad está diseñado para proteger el panel de mandos y los botones cuando el horno está en modo de cocinar a la parrilla. (figura 10)

2. Utilice este panel de seguridad para evitar que el calor dañe el panel de mandos y los botones cuando el horno esté en modo de cocinar a la parrilla.

**ADVERTENCIA:** Las partes accesibles pueden estar calientes cuando la parrilla está en uso. Mantenga a los niños lejos del horno.

3. Coloque el panel de seguridad debajo del panel de mandos abriendo la tapa frontal del horno de cristal. (figura 11)

4. Y luego asegure el panel de seguridad entre el horno y la cubierta frontal cerrando suavemente la cubierta. (figura 12)

5. Es importante cocinar para mantener la tapa abierta a una distancia específica cuando se cocina en modo de cocinar a la parrilla.

6. El panel de seguridad brindará una circunstancia de cocción ideal mientras protege el panel de mandos y los botones.

**ADVERTENCIA:** Si la olla tiene la opción de “**parrilla cerrada funcionando**” con termostato, puede mantener la puerta del horno cerrada durante el funcionamiento; en este caso, la hoja deflectora de la parrilla será innecesaria.

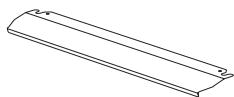


Figura 10

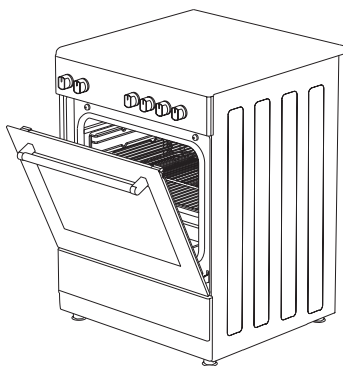


Figura 11

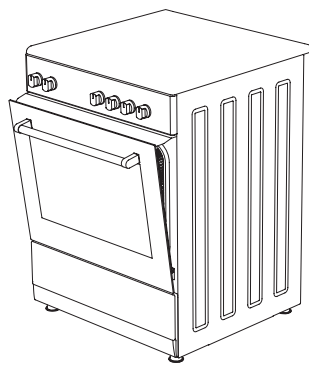


Figura 12

## SOLUCIÓN DE PROBLEMAS

Puede resolver los problemas que puede encontrar con su producto al verificar los siguientes puntos antes de llamar al servicio técnico.

### Puntos de verificación

En caso de que experimente un problema con el horno, primero revise la tabla a continuación y pruebe las sugerencias.

Problema	Causa posible	Qué hacer
<b>El horno no funciona.</b>	Fuente de alimentación no disponible.	Verifique el suministro eléctrico.
<b>Se apaga durante la cocción.</b>	Operación continua demasiado larga.	Deje que el horno se enfríe después de largos ciclos de cocción.
<b>La puerta del horno no se abre correctamente.</b>	Restos de alimentos atascados entre la puerta y la cavidad interna.	Limpia bien el horno y trate de volver a abrir la puerta.
<b>Choque eléctrico al tocar el horno.</b>	Sin una conexión a tierra adecuada.	Asegúrese de que la fuente de alimentación esté conectada a tierra correctamente.
	Se usa una toma de corriente sin conexión a tierra.	
<b>Goteo de agua</b>	El agua o el vapor se pueden generar bajo ciertas condiciones dependiendo de la comida que se cocina. Esto no es un error del aparato.	Deje que el horno se enfríe y luego séquelo con un trapo de cocina.
<b>Sale vapor de una grieta en la puerta del horno.</b>		
<b>Hay agua dentro del horno.</b>		
<b>Salida de humo durante el funcionamiento.</b>	Cuando utiliza el horno por primera vez	El humo sale de los calentadores. Esto no es una falta. Después de 2-3 ciclos, no habrá más humo.
	Comida en el calentador.	Deje que el horno se enfríe y limpie los residuos de comida del calentador.

Problema	Causa posible	Qué hacer
<b>Cuando utilice el horno, saldrá olor a quemado o plástico.</b>	Se usan accesorios plásticos u otros accesorios no resistentes al calor dentro del horno.	A altas temperaturas, debe usar accesorios de cristalería adecuados.
<b>El horno no calienta.</b>	La puerta está abierta.	Cierre la puerta y reinicie.
	Controles del horno no ajustados correctamente.	Lea la sección sobre el funcionamiento del horno y reinicie el horno.
	Fusible disparado o interruptor automático apagado.	Sustituya el fusible o reinicie el interruptor. Si esto se repite con frecuencia, llame a un electricista.
<b>El horno no cocina bien.</b>	La puerta del horno se abre con frecuencia durante la cocción.	No abra la puerta del horno con frecuencia, si la comida que está cocinando no requiere ser volteada. Si abre la puerta con frecuencia, la temperatura interna disminuirá y, por lo tanto esto influirá en el resultado de la cocción.
<b>La luz interna es débil o no funciona.</b>	Objeto extraño que cubre la lámpara durante la cocción.	Limpie la superficie interna del horno y revise nuevamente.
	La lámpara podría estar fallando.	Reemplace con una lámpara con las mismas características técnicas.

## **REGLAS DE MANIPULACIÓN**

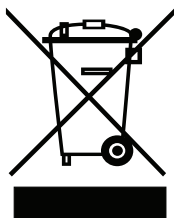
- 1.** No use la puerta y/o el asa para transportar o mover el aparato.
- 2.** Realice el movimiento y el transporte en el embalaje original.
- 3.** Preste la máxima atención al aparato mientras es cargado / descargado y manipulado.
- 4.** Asegúrese de que el embalaje esté bien cerrado durante la manipulación y el transporte.
- 5.** Proteja de factores externos (como humedad, agua, etc.) que puedan dañar el embalaje.
- 6.** Tenga cuidado de no dañar el aparato debido a golpes, colisiones, caídas, etc. mientras lo manipula y transporta, y no lo rompa ni lo deforme durante el funcionamiento.

## **RECOMENDACIONES PARA EL AHORRO DE ENERGÍA**

Los siguientes detalles le ayudarán a usar su producto ecológica y económicamente.

- 1.** Use envases de color oscuro y esmalte que conducen mejor el calor en el horno.
- 2.** Mientras cocina su comida, si la receta o el manual del usuario indican que se requiere precalentar, precaliente el horno.
- 3.** No abra la puerta del horno con frecuencia mientras cocina.
- 4.** Trate de no cocinar múltiples platos simultáneamente en el horno. Puede cocinar al mismo tiempo colocando dos hornillas en el estante de rejilla.
- 5.** Cocine múltiples platos sucesivamente. El horno no perderá calor.
- 6.** Apague el horno unos minutos antes del tiempo de caducidad de la cocción. En este caso, no abra la puerta del horno.
- 7.** Descongele la comida congelada antes de cocinar.

## ELIMINACIÓN RESPETUOSA CON EL MEDIO AMBIENTE



Deshágase del embalaje de una manera respetuosa con el medio ambiente.

El aparato está etiquetado según la directiva europea 2012/19/EU sobre aparatos eléctricos y electrónicos usados (residuos de equipo eléctrico y electrónico - WEE por sus siglas en inglés). La directiva establece el marco para la devolución y el reciclaje de aparatos usados como corresponde en toda la UE.

### INFORMACIÓN SOBRE EL EMBALAJE

El embalaje del aparato se fabrica con materiales reciclables, de acuerdo con nuestro Reglamento Nacional sobre Medio Ambiente. No elimine los materiales de embalaje junto con los residuos domésticos o de otro tipo. Llévelos a uno de los puntos de reciclaje designado por las autoridades locales.

#### **SVAN TRADING S.L.**

Av. Altos Hornos S/N. Pto. Sagunto (46520). Valencia, España.

[info@svanelectro.com](mailto:info@svanelectro.com)

960600034